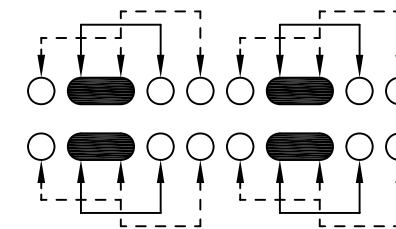
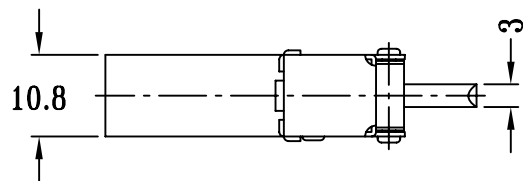
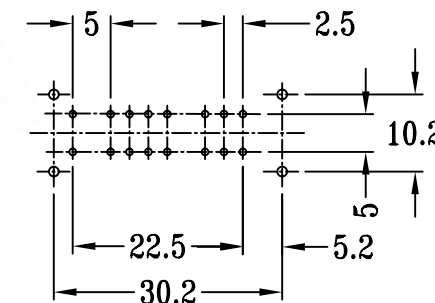
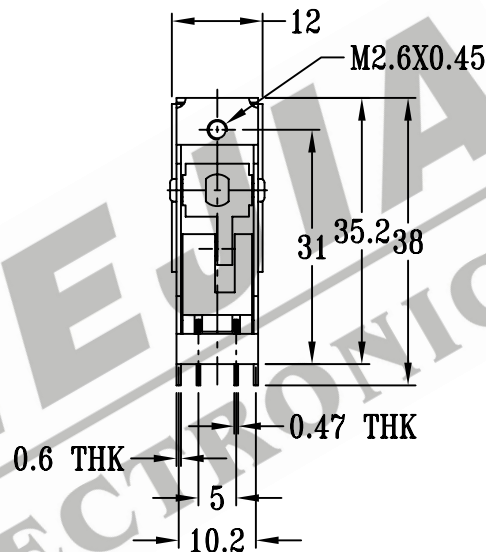
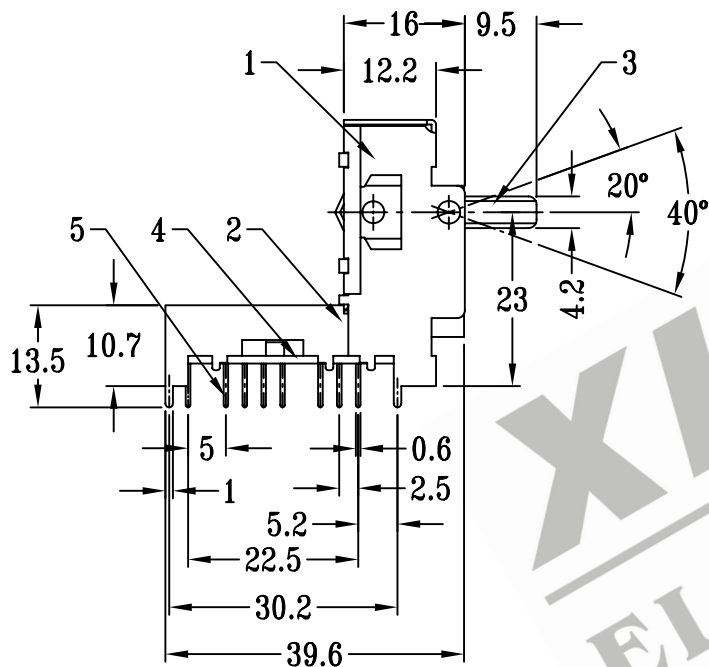


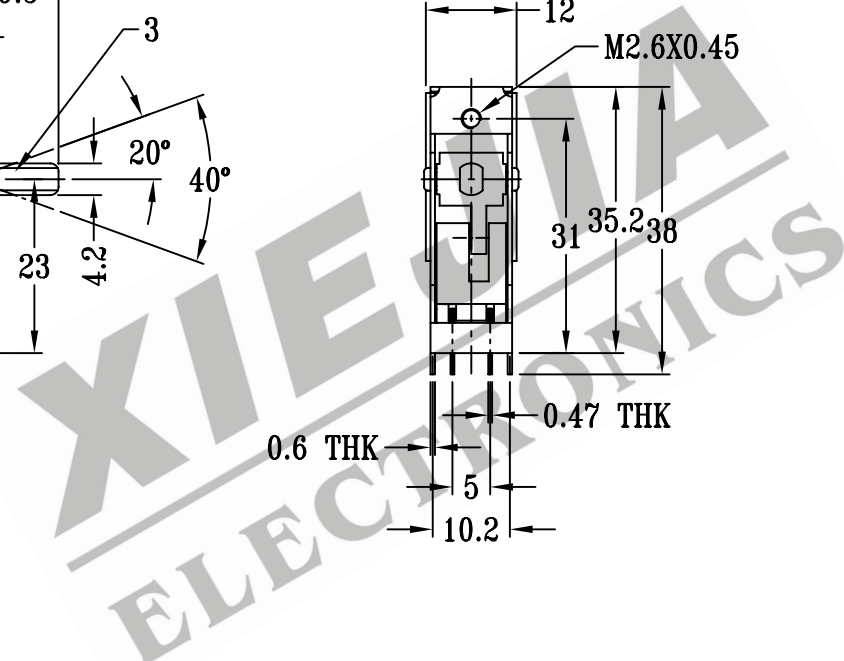
CAD FILE:



**SCHMATIC (SHORTING)**



**P.C.B LAYOUT**



10	CONTACT CLIP	PBS STRIP	4	Ag PLATED
9	SPRING	STEEL WIRE	1	TEMPER
8	RIVET	COPPER	1	Ni PLATED
7	BAR	POM	1	BLACK
6	SLIDER	POM	1	BLACK
5	TERMINAL	BRASS STRIP	16	Ag PLATED OVER Ni PLATED
4	BASE	PHENOLIC RESIN	1	NATURAL
3	KNOB	POM	1	BLACK
2	COVER	STEEL STRIP	1	Ni PLATED
1	FRAME	STEEL STRIP	1	Ni PLATED
NO.	PART NAME	MATERIAL	Q'TY	FINISHING

注:带"\*"表示关键尺寸(7个)

TOLERANCE UNLESS SPECIFIED		SHENZHEN XIEJIA ELECTRONICS CO.,LTD.		
WITHIN: 1.5±0.1mm		ISSUE	DATE	DESCRIPTIONS
OVER : 1.5±0.2mm				APPD.
TITLE : TOGGLE SWITCH		UNIT : MM	DRWG NO.: XJ-DR-TS43E03-00	
MODEL: TS-43E03		SCALE: 1:1	DWN.	ZHOUYU 2004-12-8
ALL MATERIALS MUST BE COMPLIANT TO ROHS			CHK'D	FANGYING 2004-12-8
			APPD.	KANGXINAN 2004-12-8